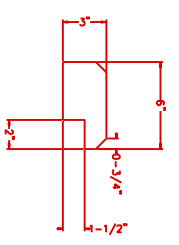
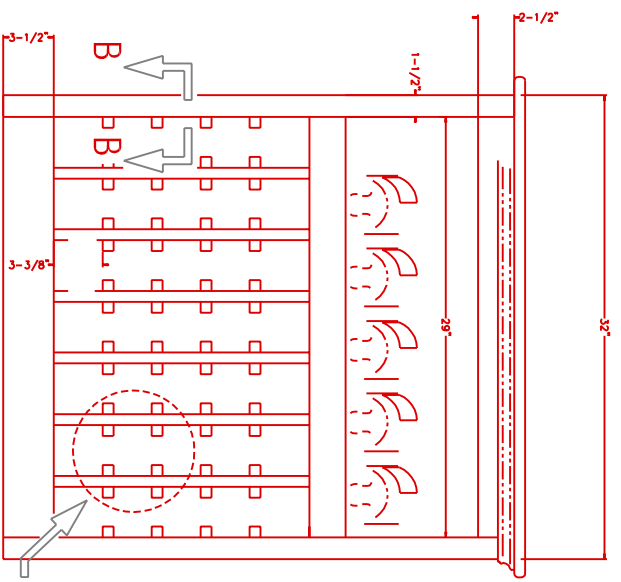


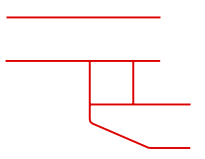
- PLY Top
- 1 Sides 3/4 x 18 x 33
 - 2 Bottom 3/4 x 16.5 x 35.75
 - 1 Back 3/4 x 16.5 x 33
 - 1 Shelf 1/4 x 32.75 x 34.5
 - 1 Interior Uprights- Fwd 1/2 x 14 x 31.5
 - 6 Interior Uprights- Aft 3/4 x 2 x 19

- OAK Top Rail
- 1 Side Rail 3/4 x 3.5 x 29
 - 2 Bottom Rail 3/4 x 1.5 x 35.25
 - 1 Interior Mid Rail 3/4 x 3.5 x 29
 - 1 Top Casing - Fwd 3/4 x 3.5 x 31.5
 - 1 Top Casing - Sides 3/4 x 3/4 x 34.5
 - 2 Top Moulding 3/4 x 3/4 x 19
 - 6 Inner Upright Casing 70 in 18

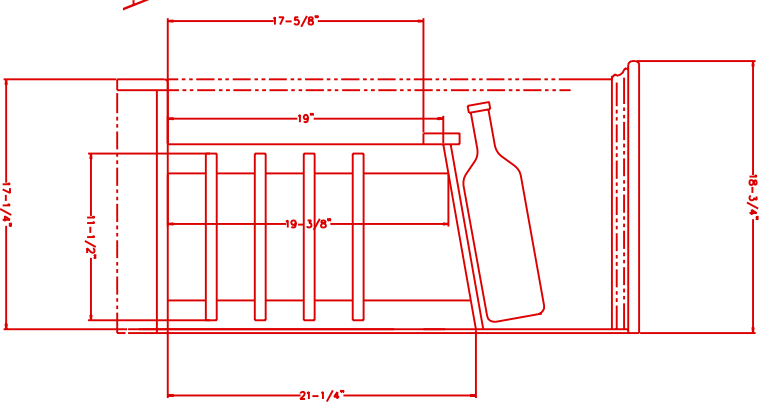
- Hemlock/rtle Supt Rail 3/4 x 3/4 x 11
- 56
- Misc. Hinges 1.5 x 1.5
- 4 Handles 3"
- 2 Magnetic Catches



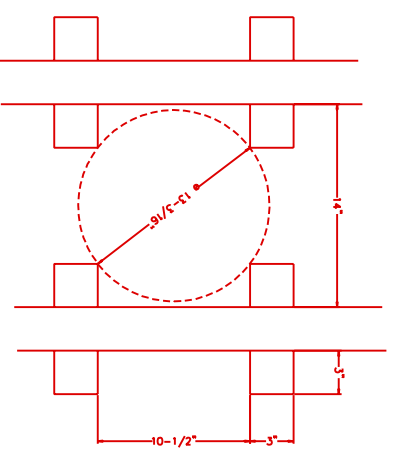
Sect A-A



Sect B-B



Detail A



Detail A

Design By
Wayne
Gerhart